

Dynaco 852 Series



Overview:

Products Features:

- * Three speed ratios to choose from
- * Pressure lubrication standard
- * Designed for heavy duty applications

Markets:

- * Oil Field Application
- * Bulk Transporter Trucks
- * Fire and Rescue



Product Features and Benefits:

Contact Information:

Dynaco Hydraulic Co., Ltd.

Huilong Industrial Zone 39
Ningbo, Zhejiang, China

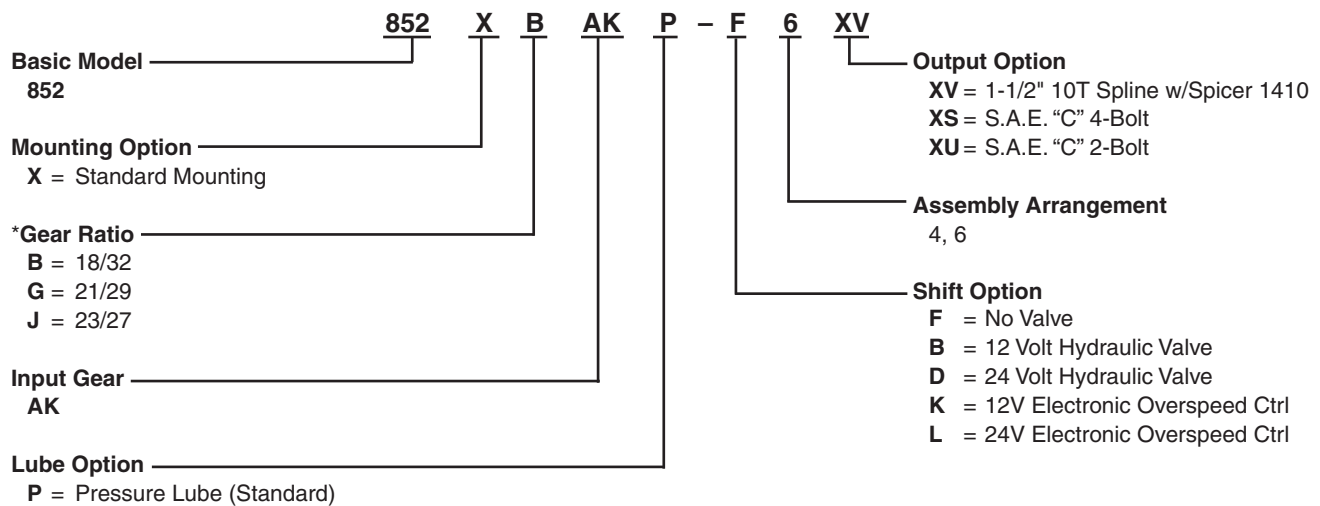
Tel: 86-25-85360418

Email: info@dynacohydraulic.com

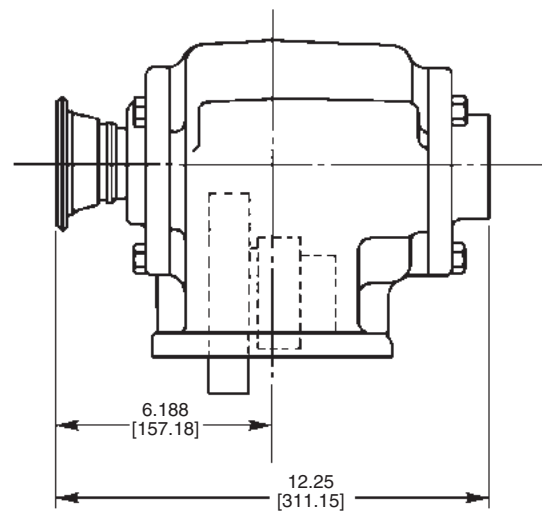
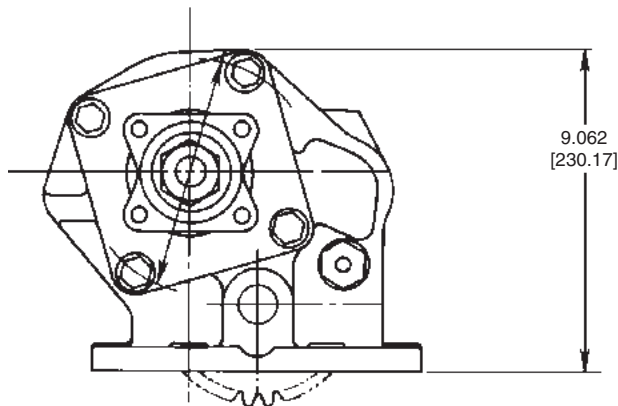
Web: www.dynacohydraulic.com

- Designed for heavy duty applications
- Three speed ratios to choose from
- Pump flanges to fit most popular hydraulic pumps
- Pressure lubrication standard
- Intermittent Torque Rating of 500 Lbs. ft.
- Two Year Warranty

Model Number Designator



NOTE: *Internal P.T.O. Gears - P.T.O. Ratio Gear/P.T.O. Output Gear



Series Specifications Chart – 852 Series

	852*B, G, J
Standard Output Shaft Size	1-1/2" 10 spline w/1410 flange
Intermittent Torque Rating (Lbs. ft.)	500
Intermittent Torque Rating (N.m.)	678
Horsepower Rating for Intermittent Service	
At 500 R.P.M. of Output Shaft (HP)	48
At 1000 R.P.M. of Output Shaft (HP)	95
At 500 R.P.M. of Output Shaft (Kw)	36
At 1000 R.P.M. of Output Shaft (Kw)	71
Approximate Weight:	88 lbs. [40 kg]